

# RESET SWITCHBOX



## Key Features

- Stainless steel 25 mm momentary pushbutton switch
- IP66/NEMA 4 weather proof design for outdoors or washdown environments
- 24 VDC / 120 VAC rated
- 1.5 Amp normally open contacts
- Circuit board with terminal block for wire landings
- Mounting flanges for wall mounting
- Solution for Compressor Room ventilation remote reset
- 2-year warranty

## Remote Reset Switch for Gas Detection Systems

The SB-R2 switch allows the GG-6 and M255 control panels to be located outside of the compressor room with the Reset switch located inside the compressor room for easy access. A switch may also be located outside compressor room. See [SB-SR1](#) or [SB-S1](#) for Silence-Reset and Silence switches.

The switch is connected to the GG-6 or M255, via wire terminals on the switchbox circuit boards. The switchbox can be used in other controller applications such as PLCs and interlock panels.

The switch is housed in a durable polycarbonate enclosure able to withstand weather and washdown environments for indoor or outdoor mounting applications. A terminal block for wire landings, and mounting flanges are also included for easy installation.

## SPECIFICATIONS

Due to ongoing research and product improvement, specifications are subject to change

**ENCLOSURE:** Polycarbonate, IP66/NEMA 4

**OPERATING TEMPERATURE:** -40°F to +150°F

**MOUNTING PLATE:** Anodized aluminum

**CONTACTS:** (2) NO

**ACTUATOR:** Momentary

**MECHANICAL DURABILITY:** 300,000 cycles

**CURRENT RATING:** 1.5A

**DIMENSIONS:** 6.35" high x 4.42" wide x 3.2" deep

## Configurations

All pushbutton switches are pre-installed and wired in their enclosures

**Order #:** [SB-R2](#) GG-6/M255 Reset pushbutton switchbox, momentary, NEMA 4 enclosure

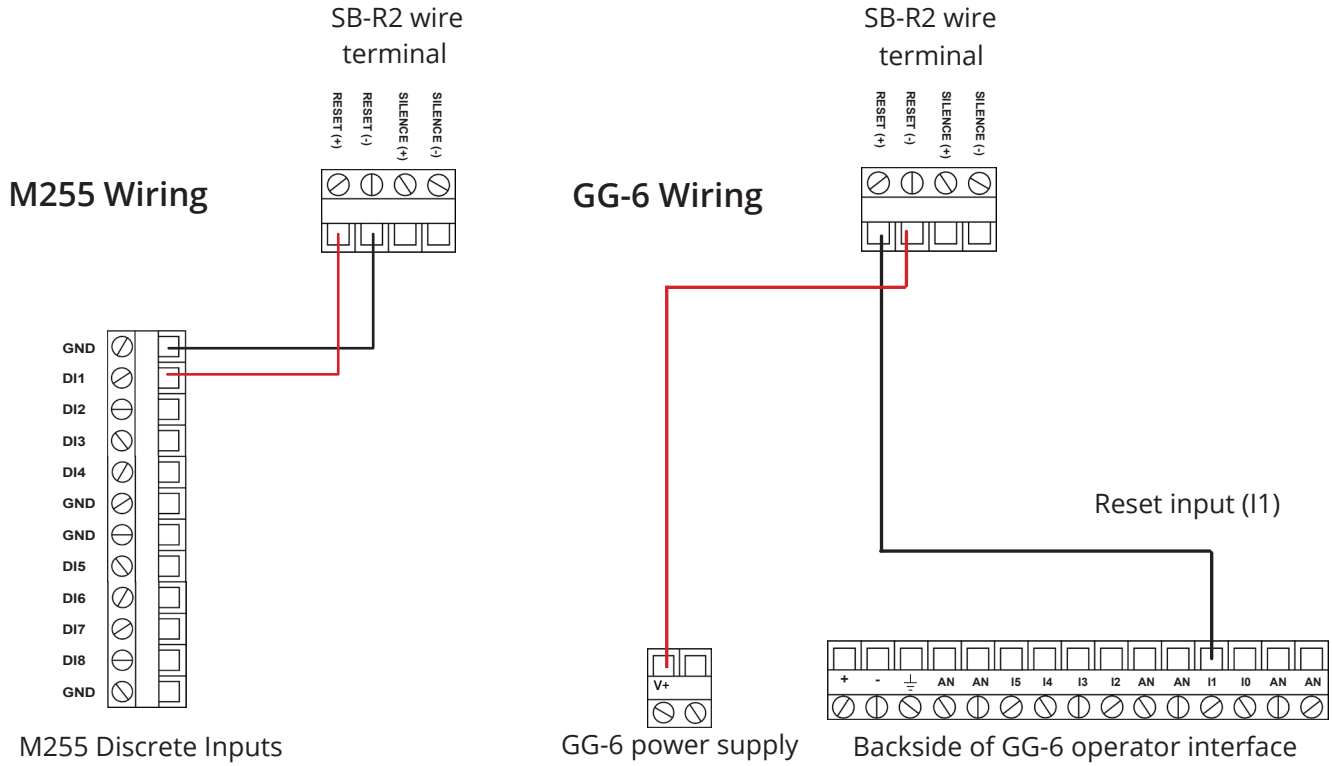


ANSI / IIAR 2-2014:

6.13 Ammonia Detection and Alarm

6.13.2.3 Detection of ammonia concentrations equal to or exceeding 150 ppm (1/2 IDLH) shall activate visual indicators and an audible alarm and shall activate emergency ventilation, where required, in accordance with Section 6.14.7. Once activated, emergency ventilation shall continue to operate until manually reset by a switch located in the machinery room.

Wiring Diagram Example



SB-R2